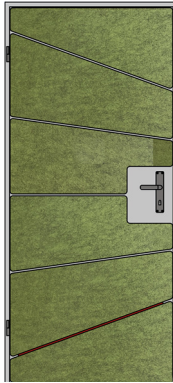


ASSEMBLY INSTRUCTION FOR soni PORTA

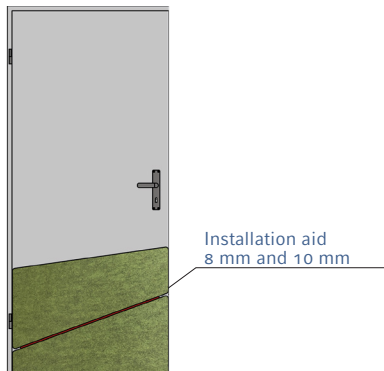
1.



Before applying the sound insulation elements, please make sure that the side of the door to be covered is free of dust, grease and other release agents.

For an easy and smooth installation process, we recommend laying out the **soni PORTA** elements in the correct order on the floor or table before actual mounting.

2.

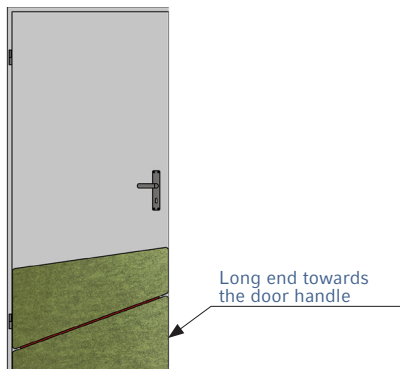


As a first step, measure the door's height.

For a standard-height door (1,985 mm), use the 10-mm installation aid to ensure the same distance between the individual sound-insulation panels.

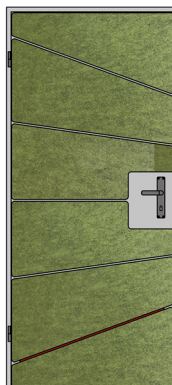
For a door with a lower height, we recommend using the 8-mm installation aid.

3.

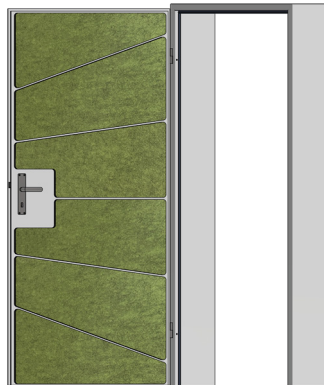


Start with the bottom panel. Remove the protective film from the back and place the panel flush with the bottom edge of the door (see drawing). Make sure that the panel is positioned exactly in the center before pressing it firmly into place. Now place the installation aid on the upper edge of the already fitted panel and then position the next panel (after removing the protective film) above it, taking care to center it. Press firmly to fix the panel to the door surface. Repeat this step for the other insulation panels.

4.



soni PORTA outside of door



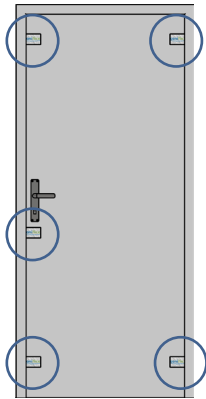
soni PORTA inside of door

For an optimum acoustic effect, all insulation elements must be pressed firmly into place. The final adhesive strength (100%) is reached after 24 hours.

Please note: Our **soni PORTA** door insulation panels can be removed again easily. To do this, simply lift one corner of the heavy layer and then peel off the entire panel. However, it is then no longer possible to reattach the panel.

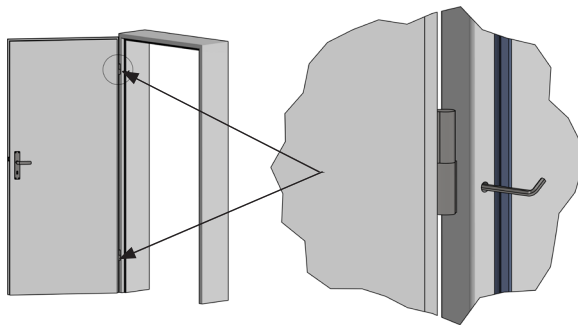
DOOR ADJUSTMENT prior to the installation of soni PORTA

1.



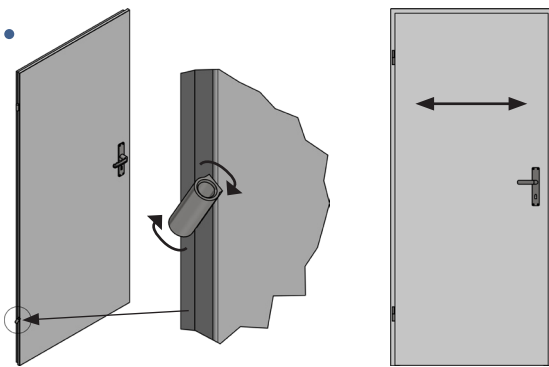
As a first step, please use a credit card or similar to check the correct setting of your door. To do this, try to insert the card between the door leaf and the door seal at five different points (see drawing). If the card can be inserted easily and without great resistance, please carry out the following steps to adjust the door. The door is correctly aligned when the card starts to stay put between the door leaf and the door seal at all five points. Only when this is the case, soni PORTA will achieve maximum acoustic effectiveness.

2.



If the gap between the door seal and the door leaf is too wide, you can use a screwdriver or an Allen key to insert the frame-side hinge part deeper into the frame. To do this, first unhinge the door leaf. Adjust the hinge position until the credit card does start to stay put when inserted.

3.

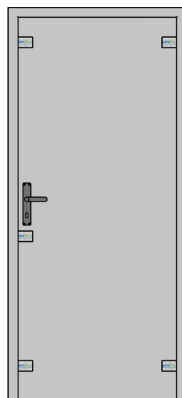


If the door leaf is positioned at a slight angle in the frame, it can be adjusted by turning the hinge(s) accordingly.

If you want the door leaf to tilt more towards the lock side, turn the upper hinge counterclockwise. Turning the hinge clockwise raises the door leaf on the lock side.

Practical tip: For easy turning, insert a screwdriver/Allen key into the hinge.

4.



Please continue the adjustments according to steps 2 and 3 until the credit card stays put at all five test points. Only if this is the case, the door is installed correctly and with maximum acoustic insulation effect.

PLEASE SEE OUR PROCESSING AND STORAGE INSTRUCTIONS

Details and values given in this leaflet are average values and have been compiled with care. They are not binding, however, and Cellofoam International GmbH & Co. KG disclaims any liability for any damages and detriments, also in connection with any third party's rights. The information given does not release the buyers from making the necessary experiments and tests themselves. Subject to technical changes. For updates please go to our website.

Cellofoam International GmbH & Co. KG
Business unit soniflex
P: +49 7351 340 28 61
sales@soniflex.de / www.soniflex.de

Distribution partner for Switzerland:
soniflex Switzerland
P: +41 44 377 60 50
einkauf@soniflex.ch / www.soniflex.ch